

FULFLO TRI Cartridge Filter



The Ultimate in Pool Water Clarity



Fuflo Tri-Cartridge Filters are designed to effectively filter out suspended solids from your pool.

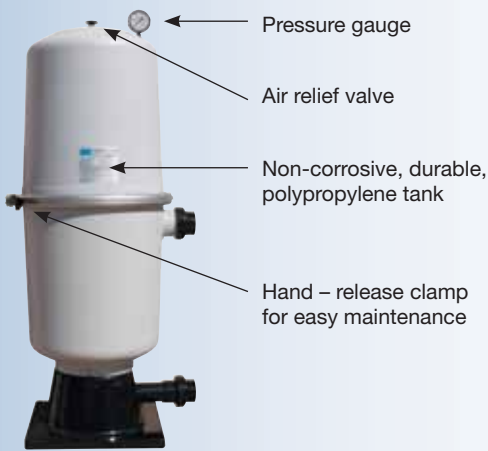
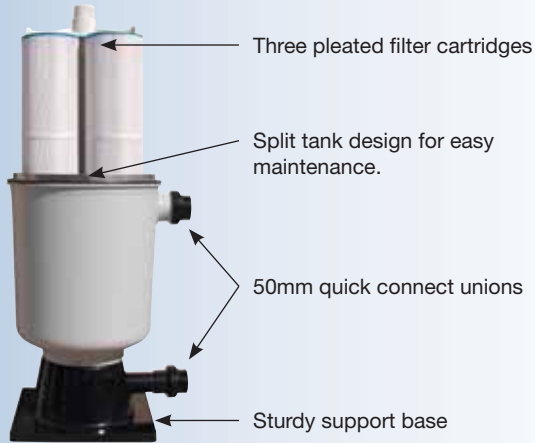
Fuflo Tri-Cartridge Filters house three individual pleated filter cartridges with a combined surface area of up to 500 sq.ft (46 m²). Its pleated filter cartridges are designed to provide a high dirt holding capacity, thus decreasing its cleaning frequency.

Fuflo Tri-Cartridge Filters are ideal for applications where backwashing may not be practical or areas where water may be scarce.



Construction

Built to endure the rigours and pressures of the outdoor environment, Fuflo Tri-Cartridge Filters are made from specially engineered polymers that have been tested for durability and strength.



Filter Cartridge

At the heart of the Fuflo Tri-Cartridge Filter are three individual filter cartridges, constructed from heavy duty, easy-to-clean polyester fabric. The cartridge's pleats create a large surface area providing a high dirt holding capacity, thus decreasing its cleaning frequency.



Filter Rating: 30 Microns (nominal)

Material: Polyester Fabric material, Vinyl Plastisol end caps and a Polypropylene core

Operating Temperature: 4° C to 50° C

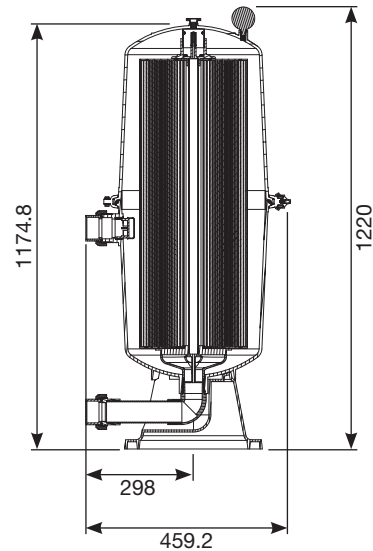
Maximum Pressure Drop: 20 kPa

Maintenance

When cleaning is required the Fuflo Tri Cartridge's filter's split tank design incorporates an easy to use clamp that requires no additional tools for simple cartridge removal and replacement, allowing for quick access to the filter cartridge without disturbing the piping and connections.

Model No.	Filter Area (sq.ft.)	Filter Area (m ²)	Design Flow Rate (lpm)	Max. Pool Size (litres)	Max. Working
2165300	300	28	426	152640	350 kPa
2165400	400	37	510	183600	350 kPa
2165500	500	46	510	183600	350 kPa

Technical Specifications



Warranty

This unit is covered by a 10 year (5+5) conditional warranty against faulty materials and workmanship, with a 12 month warranty on all other components. Please refer to the detailed warranty booklet provided.

OFFICES - AUSTRALIA

NSW - Sydney (Head Office)
Tel: +61 2 9898 8686
QLD - Brisbane
Tel: +61 7 3299 9900
VIC/TAS - Melbourne
Tel: +61 3 9764 1211
WA - Perth
Tel: +61 8 9273 1900
SA/NT - Adelaide
Tel: +61 8 8244 6000
ACT Distribution
Tel: +61 2 6280 6476

OFFICES - OVERSEAS

Waterco (Europe) Limited
Radfield, Kent, UK
Tel: +44 (0) 1795 521 733
Waterco (USA) Inc
Phoenix, Arizona, USA
Tel: +1 623 434 4703
Waterco USA (Baker Hydro)
Augusta, USA
Tel: +1 706 793 7291
Waterco Canada
Quebec, Canada
Tel: +1 450 796 1421

Waterco (NZ) Limited
Auckland, New Zealand
Tel: +64 9 525 7570
Waterco (GZ) Limited
Guangzhou, China
Tel: +86 20 3222 2180
Waterco (Far East) Sdn Bhd
Selangor, Malaysia
Tel: +60 3 6145 6000
PT Waterco Indonesia
Jakarta, Indonesia
Tel: +62 21 4585 1481

DISTRIBUTED BY:

WATERCO
Water, the liquid of life

